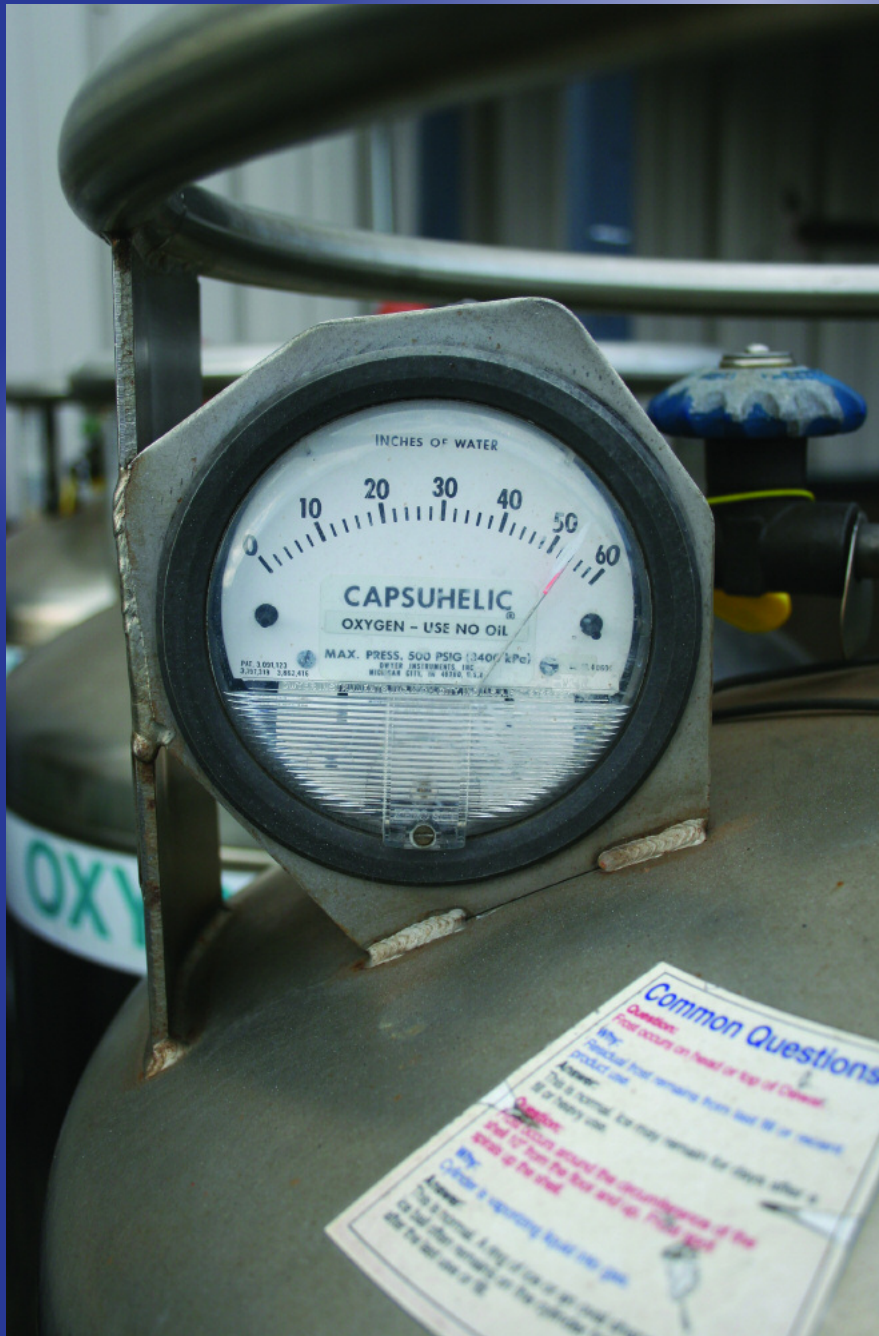


Gauges

Ratermann Manufacturing, Inc. carries one of the largest variety of gauges. If you do not see what you are looking for, please contact us.



INDEX

Gauges

- Capsuhelic® Differential Pressure Gauges **15A-5**
- Gauges
 - Brass Gauges **15A-2**
 - Differential Pressure Gauges **15A-2**
 - Oxygen Gauges **15A-3**
 - Nitrous Oxide **15A-4**
 - Non Corrosive **15A-4**
 - Stainless Steel Gauges **15A-2**
- Port Gauges
 - Back Mount Port Gauges. **15A-4**
 - Bottom Port Gauges **15A-4**
- Replacement Lenses **15A-4**
- Solfrunt® 6" Process Gauges. . **15A-6-7**

STAINLESS STEEL GAUGES

STAINLESS STEEL GAUGES

Standard Features

Size

2 1/2" (63 mm)
4" (100 mm)

Wetted Parts

316 stainless steel

Case

304 stainless steel

Crimped Ring

304 stainless steel

Window

Polycarbonate
Acrylic (4")

Dial

White aluminum

Pointer

Black aluminum

O-ring

EPDM (4' only)

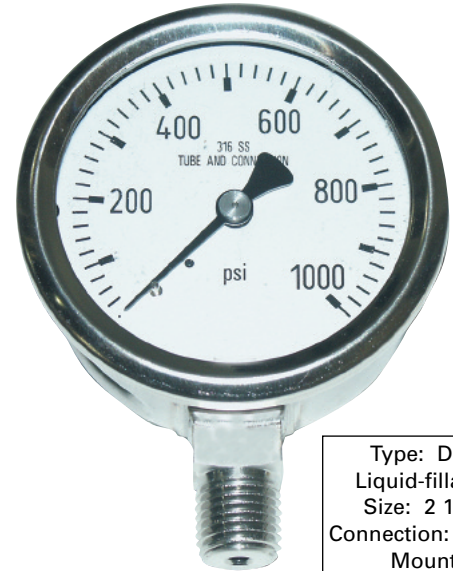
Accuracy

- 1.5% of span
= 1.0% of span (4")
(ASNE B40.1 Grade 1A)

Welded connection (case / socket)
standard on 2 1/2" sizes. 4" sizes
feature an EPDM o-ring seal.

These stainless steel gauges with their rugged construction provide resistance to the most corrosive media and environments. The gauges feature 316 stainless steel wetted parts and 304 stainless steel case and crimped ring, and can be liquid-filled in the field.

- **Stainless Steel Wetted Parts**
- **Stainless Steel Case and Crimp Ring**
- **Field Liquid-Fillable**
- **Welded Connection on 2 1/2" Size**



Type: Dry,
Liquid-fillable
Size: 2 1/2"
Connection: Lower
Mount
Connection Size:
1/4 NPT

Standard Ranges and Part Numbers

Press. Scale / PSI	Part #	Description	1+	3+
30" -0-30 psi	PG-SS3030	Gauge Stainless Steel - Lower Mount - 30"-0-30 psi	27.00	25.65
30" -0-60 psi	PG-SS3060	Gauge Stainless Steel - Lower Mount - 30"-0-60 psi	27.00	25.65
15 psi	PG-SS15	Gauge Stainless Steel - Lower Mount - 15 psi	25.85	24.55
30 psi	PG-SS30	Gauge Stainless Steel - Lower Mount - 30 psi	25.85	24.55
60 psi	PG-SS60	Gauge Stainless Steel - Lower Mount - 60 psi	25.85	24.55
100 psi	PG-SS100	Gauge Stainless Steel - Lower Mount - 100 psi	25.85	24.55
200 psi	PG-SS200	Gauge Stainless Steel - Lower Mount - 200 psi	25.85	24.55
400 psi	PG-SS400	Gauge Stainless Steel - Lower Mount - 400 psi	25.85	24.55
600 psi	PG-SS600	Gauge Stainless Steel - Lower Mount - 600 psi	25.85	24.55
1000 psi	PG-SS1000	Gauge Stainless Steel - Lower Mount - 1000 psi	25.85	24.55
2000 psi	PG-SS2000	Gauge Stainless Steel - Lower Mount - 2000 psi	28.45	27.00
3000 psi	PG-SS3000	Gauge Stainless Steel - Lower Mount - 3000 psi	28.45	27.00
5000 psi	PG-SS5000	Gauge Stainless Steel - Lower Mount - 5000 psi	28.45	27.00
10000 psi	PG-SS10000	Gauge Stainless Steel - Lower Mount - 10000 psi	28.45	27.00

BRASS GAUGES

These Gauges have a Brass Case and are 1/4" Male NPT with Bottom Mount.

2" Diameter Gauge

Part #	PSI Range
PG-LM100	0-100
PG-LM200	0-200
PG-LM400	0-400
PG-LM600	0-600
PG-LM1000	0-1000
PG-LM4000	0-4000



2 1/2" Diameter Gauge

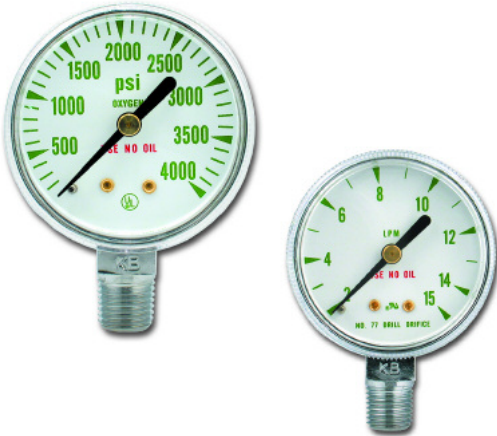
Part #	PSI Range
PG-LM10025	0-100
PG-LM20025	0-200
PG-LM40025	0-400
PG-LM60025	0-600
PG-LM100025	0-1000
PG-LM400025	0-4000



DIFFERENTIAL PRESSURE GAUGES

Part #	Description
DPG6D0-100H2OPM	Differential Pressure Gauge, 6" Dial 0-100" H2O PM
DPG6D0-100H2OCM	Differential Pressure Gauge, 6" Dial 0-100" H2O CM
DPG6D0-12000LBCO2	Differential Pressure Gauge, 6" Dial 0-12000 Lbs CO2
DPG6D0-150H2OCM	Differential Pressure Gauge, 6" Dial 0-150" H2O CM
DPG6D0-15000MMH2O	Differential Pressure Gauge, 6" Dial 0-15,000 MM H2O
DPG6D0-200H2O	Differential Pressure Gauge, 6" Dial 0-200 H2O
DPG6D0-28000LBCO2	Differential Pressure Gauge, 6" Dial 0-28,000 Lbs CO2
DPG6D0-200H2OCM	Differential Pressure Gauge, 6" Dial 0-200 H2O CM
DPG6D0-300H2OCM	Differential Pressure Gauge, 6" Dial 0-300" H2O CM
DPG6D0-400H2O	Differential Pressure Gauge, 6" Dial 0-400" H2O
DPG6D0-500H2OCM	Differential Pressure Gauge, 6" Dial 0-500" H2O CM
DPG6D0-600H2OCM	Differential Pressure Gauge, 6" Dial 0-600" H2O CM
DPG6D0-60000LBCO2	Differential Pressure Gauge, 6" Dial 0-60,000 Lbs CO2
DPG6D0-700H2OCM	Differential Pressure Gauge, 6" Dial 0-700" H2O CM
DPG6D0-75H2O	Differential Pressure Gauge, 6" Dial 0-75" H2O
DPG6D0-7500MMH2O	Differential Pressure Gauge, 6" Dial 0-7,500 MM H2O

OXYGEN White Face, Green Numbers, Bottom Port



Pressure/Flow	Face Size	Inlet Thread	Case	Part #
4000 PSI	1 1/2" O.D.	1/8" MNPT	Chrome	PG-OXLM4000-18-1.5W
4000 PSI	1 1/2" O.D.	1/8" MNPT	Black	PG-OXLM4000-18-1.5W-BK
4000 PSI	2" O.D.	1/4" MNPT	Chrome	PG-OXLM4000-14-2W
100 PSI	1 1/2" O.D.	1/8" MNPT	Chrome	PG-OXLM100-18-1.5W
100 PSI	2" O.D.	1/4" MNPT	Chrome	PG-OXLM100-18-2W
15 LPM	1 1/2" O.D.	1/8" MNPT	Chrome	PG-OXLM15LPM-18-1.5W
15 LPM	2" O.D.	1/4" MNPT	Chrome	PG-OXLM15LPM-14-2W
5 LPM	2" O.D.	1/4" MNPT	Chrome	PG-OXLM05LPM-14-2W
8 LPM	2" O.D.	1/4" MNPT	Chrome	PG-OXLM08LPM-14-2W
8 LPM	1 1/2" O.D.	1/8" MNPT	Chrome	PG-OXLM08LPM-18-1.5W
1 LPM	2" O.D.	1/4" MNPT	Chrome	PG-OXLM01LPM-14-2W
1/2 LPM	2" O.D.	1/4" MNPT	Chrome	PG-OXLM0.5LPM-14-2W

OXYGEN White Face, Green Numbers, Back Port



Pressure/Flow	Face Size	Inlet Thread	Case	Part #
15 LPM	1 1/2" O.D.	1/8" MNPT	Chrome	PG-OXM15LPM-18-1.5W
15 LPM	1 1/2" O.D.	1/8" MNPT	Black	PG-OXM15LPM-18-1.5W-BK
5 LPM	1 1/2" O.D.	1/8" MNPT	Black	PG-OXM05LPM-18-1.5W-BK
4000 PSI	1 1/2" O.D.	1/8" MNPT	Chrome	PG-OXM4000-18-1.5W
4000 PSI	1 1/2" O.D.	1/8" MNPT	Black	PG-OXM4000-18-1.5W-BK
8 LPM	1 1/2" O.D.	1/8" MNPT	Chrome	PG-OXM08LPM-18-1.5W
8 LPM	1 1/2" O.D.	1/8" MNPT	Black	PG-OXM08LPM-18-1.5W-BK
1 LPM	1 1/2" O.D.	1/8" MNPT	Chrome	PG-OXM01LPM-18-1.5W
1/2 LPM	1 1/2" O.D.	1/8" MNPT	Black	PG-OXM0.5LPM-18-1.5W-BK
3000 PSI	1 1/2" O.D.	1/8" MNPT	Chrome	PG-OXM3000-18-1.5W

OXYGEN Green Face, White Numbers, Bottom Port



Pressure/Flow	Face Size	Inlet Thread	Case	Part #
4000 PSI	1 1/2" O.D.	1/8" MNPT	Chrome	PG-OXLM4000-18-1.5G
4000 PSI	2" O.D.	1/4" MNPT	Chrome	PG-OXLM4000-14-2G
100 PSI	1 1/2" O.D.	1/8" MNPT	Chrome	PG-OXLM100-18-1.5G
100 PSI	2" O.D.	1/4" MNPT	Chrome	PG-OXLM100-14-2G
15 LPM	1 1/2" O.D.	1/8" MNPT	Chrome	PG-OXLM15LPM-18-1.5G
15 LPM	2" O.D.	1/4" MNPT	Chrome	PG-OXLM15LPM-14-2G
8 LPM	1 1/2" O.D.	1/8" MNPT	Chrome	PG-OXLM08LPM-18-1.5G
8 LPM	2" O.D.	1/4" MNPT	Chrome	PG-OXLM08LPM-14-2G
5 LPM	2" O.D.	1/4" MNPT	Chrome	PG-OXLM05LPM-14-2G

OXYGEN Green Face, White Numbers, Back Port



Pressure/Flow	Face Size	Inlet Thread	Case	Part #
15 LPM	1-1/2" O.D.	1/8" MNPT	Chrome	PG-OX15LPM-18-1.5G-B
5 LPM	1-1/2" O.D.	1/8" MNPT	Chrome	PG-OX05LPM-18-1.5G-B
4000 PSI	1-1/2" O.D.	1/8" MNPT	Chrome	PG-OX4000-18-1.5G-B
8 LPM	1-1/2" O.D.	1/8" MNPT	Chrome	PG-OX08LPM-18-1.5G-B

**NITROUS OXIDE** Blue Face, White Numbers, Bottom Port

Pressure/Flow	Face Size	Inlet Thread	Case	Part #
2000 PSI	2" O.D.	1/4" MNPT	Chrome	PG-NOLM2000-14-2BL
100 PSI	2" O.D.	1/4" MNPT	Chrome	PG-NOLM100-14-2BL

NON CORROSIVE White Face, Black Numbers, Back Port

Pressure/Flow	Face Size	Inlet Thread	Case	Part #
100 PSI	1-1/2" O.D.	1/8" MNPT	Black	PG-NC100-18-1.5W-BK
300 PSI	1-1/2" O.D.	1/8" MNPT	Black	PG-NC300-18-1.5W-BK
30 IN. HG VAC	1-1/2" O.D.	1/8" MNPT	Chrome	PG-NC30" HGVAC-18-1.5W

**NON CORROSIVE** White Face, Black Numbers, Bottom Port

Pressure/Flow	Face Size	Inlet Thread	Case	Part #
4000 PSI	1-1/2" O.D.	1/8" MNPT	Chrome	PG-NCLM4000-18-1.5W
4000 PSI	2" O.D.	1/4" MNPT	Chrome	PG-NCLM4000-14-2W
30 PSI	2" O.D.	1/4" MNPT	Chrome	PG-NCLM30-14-2W
60 PSI	2" O.D.	1/4" MNPT	Chrome	PG-NCLM60-14-2W
100 PSI	2" O.D.	1/4" MNPT	Chrome	PG-NCLM100-14-2W
200 PSI	2" O.D.	1/4" MNPT	Chrome	PG-NCLM200-14-2W
400 PSI	2" O.D.	1/4" MNPT	Chrome	PG-NCLM400-14-2W
600 PSI	2" O.D.	1/4" MNPT	Chrome	PG-NCLM600-14-2W
1000 PSI	2" O.D.	1/4" MNPT	Chrome	PG-NCLM1000-14-2W
200 MM HG/FULL VAC	2-1/2" O.D.	1/8" MNPT	Black	PG-NCLM200MMHG-18-2.5W-BK

Flow/LPM gauges require orificed outlet for proper calibration

PORT GAUGES

Pt # PG-M15LPM-18-1.5-BPG

Pt # PG-M4000-18-1.5-BPG

BOTTOM PORT GAUGES

Pressure/Flow	Face Size	Inlet Thread	Case	Part #
4000 PSI	1-1/2" O.D.	1/8" NPT	Chrome	PG-LM4000-18-1.5-BPG
4000 PSI	2" O.D.	1/4" NPT	Chrome	PG-LM4000-14-2-BPG
15 LPM	1-1/2" O.D.	1/8" NPT	Chrome	PG-LM15LPM-18-1.5-BPG
15 LPM	2" O.D.	1/4" NPT	Chrome	PG-LM15LPM-14-2-BPG

BACK MOUNT PORT GAUGES

Pressure/Flow	Face Size	Inlet Thread	Case	Part #
4000 PSI	1-1/2" O.D.	1/8" NPT	Chrome	PG-4000-18-1.5-BMPG
15 LPM	1-1/2" O.D.	1/8" NPT	Chrome	PG-15LPM-18-1.5-BMPG

REPLACEMENT LENSES

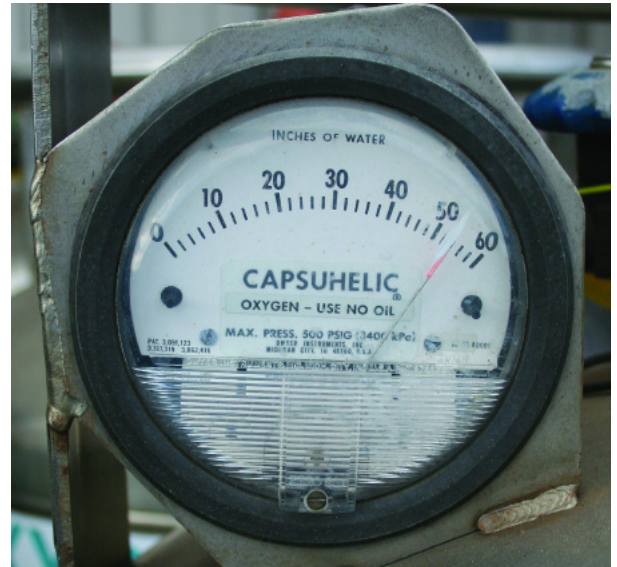
Type	Face Size	Part #
Twist on	1.5"	RL1.5-TWIST
Snap in	1.5"	RL1.5-SNAP
Snap in	2"	RL2.0-SNAP
Twist on	2"	RL2.0-TWIST
1/4 turn	1.5"	RL1.5-1/4TURN

CAPSUHELIC® DIFFERENTIAL PRESSURE GAUGES

Suitable for Internal Pressures to 500 psig

Using the basic design of time-proven Magnehelic® gauge, the Capsuhelic® gauge contains a simple, frictionless movement that permits full scale readings as low as 0.5 inch water column. The pressure being measured is held within a capsule which is an integral part of the gauge. This containment of the pressure permits the use of the gauge on system pressures of up to 500 psig, even when differentials to be read are less than 0.1 inch w.c.

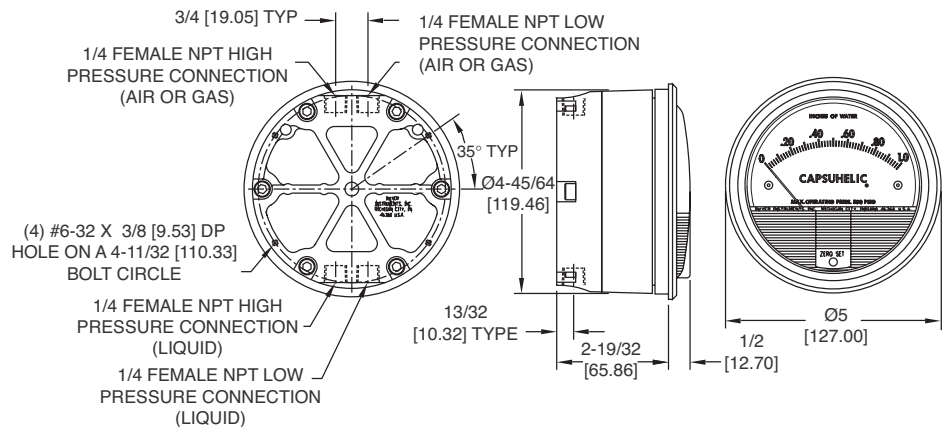
Capsuhelic® Pressure Gauge has a large, easy-to-read 4" (102mm) dial



Accuracy: ±3% of full scale at 70°F (21.1°C). (±2% on 4000S models, ±4% on 4200, 4210, 4215, 4220, 4300, 4400, and 4500).

Pressure Limits: -20° Hg to 500 psig. (-0.677 bar to 34.4 bar).

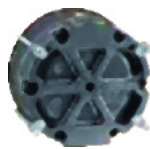
for Dewar Installation



Part No.	Description
DPG4D0-60IOW	Capsuhelic Differential Pressure Gauge, 4" Dial, 0-60 Inches of Water – Inert Gases Only
DPG4D0-60IOW-OX	Capsuhelic Differential Pressure Gauge, 4" Dial, 0-60 Inches of Water – Cleaned For Oxygen Service

Mounting

Capsuhelic® gauges may be flush mounted in a panel or surface mounted. Hardware is included for either. For flush mounting, a 4 13/16" diameter cutout in panel is required.



Back view shows flush mounting adapters.

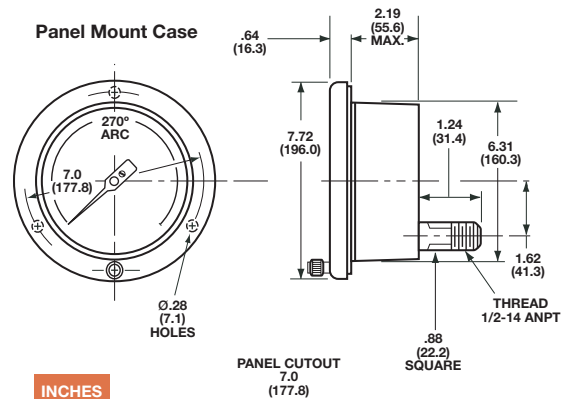
Mounting Bracket for Capsuhelic Gauges

Part No.	Description
DPG4D-FLUSHMOUNT	Flush Mounting Bracket for Capsuhelic Differential Pressure Gauges with 4" Dial

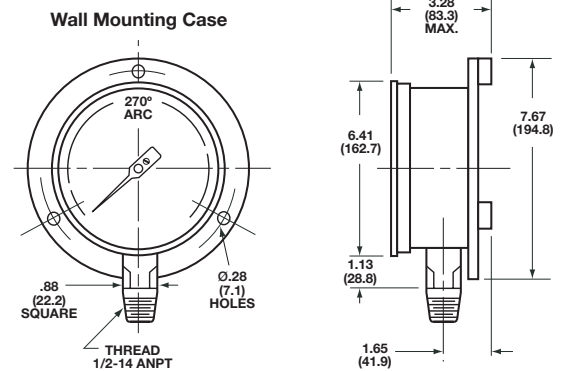
SOLFRUNT® 6" PROCESS GAUGES

DESCRIPTION

6" SOLFRUNT gauges are used where the distance between operator and gauge requires expanded dial graduations for increased readability. Panel or stem mounted, these gauges offer the same rugged construction, accuracy and calibration features as the 4-1/2" series.



INCHES (MM)



SPECIFICATIONS

SIZE: 6"

CASE AND RING:

For Stem or Wall Mounting:

CAST ALUMINUM, BACK FLANGED CASE with threaded ring, black finish, and BUNA-N® pressure-relieving back (Model 1901, 1931)

For Panel Mounting:

CAST ALUMINUM, FRONT FLANGED CASE with steel hinged ring with black finish and BUNA-N pressure-relieving back (Model 1903)

WINDOW: Acrylic

POINTER: Aluminum, micrometer adjustable with black finish

DIAL: Aluminum, white background and black markings

MOVEMENT: Geared ARC-LOC® with components of corrosion resistant 300 series stainless steel. Movement can be removed for examination and cleaning without disturbing span and scale shape adjustments

BOURDON TUBE: Phosphor bronze/silver brazed; 316L stainless steel/heli-arc welded

CONNECTION: Brass, alloy steel, or 316L stainless steel, 1/2-14 ANPT standard (1/4-18 ANPT optional).

RANGES: 30" Hg VAC 0-15, 30, 60, 100, 160, 200, 300, 400, 600, 1000, 1500, 2300, 3500, 6000.

ACCURACY: ±0.5% of span (Grade 2A)

Process Gauges Model Selection Chart

Model #	Mounting	Case	Ring	Bourdon Tube	Socket	Connection
PG-S6LMPB	Stem/Wall	Aluminum Back Flanged	Threaded Aluminum	Phosphor Bronze	Brass	1/2-14 ANPT LM
PG-S6LMSS	Stem/Wall	Aluminum Back Flanged	Threaded Aluminum	316L Stainless Steel	316L SS	1/2-14 ANPT LM
PG-S6BMPB	Flush Panel	Aluminum Front Flanged	Hinged Steel	Phosphor Bronze	Brass	1/2-14 ANPT LBM

* 1/4-18 ANPT optional

PROCESS GAUGES

SOLFRUNT® 6" PROCESS GAUGES INERT GAS SERVICE

SOLFRUNT®	Wall Mount Bottom Thread	Wall Mount Bottom Thread	Panel Mount Back Thread
Model Number	PG-S6LMPB	PG-S6LMSS	PG-S6BMPB
Bourdon Tube	Phosphor Bronze	316L Stainless Steel	Phosphor Bronze
Socket	Brass	316L Stainless Steel	Brass
Size	6"	6"	6"
Range	Part No.	Part No.	Part No.
30"-0-15 psi	PG-S6LMPB12-30IN0-15	PG-S6LMSS12-30IN0-15	PG-S6BMPB12-30IN0-15
0-15 psi	PG-S6LMPB12-0-15	PG-S6LMSS12-0-15	PG-S6BMPB12-0-15
0-30 psi	PG-S6LMPB12-0-30	PG-S6LMSS12-0-30	PG-S6BMPB12-0-30
0-60 psi	PG-S6LMPB12-0-60	PG-S6LMSS12-0-60	PG-S6BMPB12-0-60
0-100 psi	PG-S6LMPB12-0-100	PG-S6LMSS12-0-100	PG-S6BMPB12-0-100
0-160 psi	PG-S6LMPB12-0-160	PG-S6LMSS12-0-160	PG-S6BMPB12-0-160
0-200 psi	PG-S6LMPB12-0-200	PG-S6LMSS12-0-200	PG-S6BMPB12-0-200
0-300 psi	PG-S6LMPB12-0-300	PG-S6LMSS12-0-300	PG-S6BMPB12-0-300
0-400 psi	PG-S6LMPB12-0-400	-	PG-S6BMPB12-0-400
0-600 psi	PG-S6LMPB12-0-600	PG-S6LMSS12-0-600	PG-S6BMPB12-0-600
0-1000 psi	PG-S6LMPB12-0-1000	PG-S6LMSS12-0-1000	PG-S6BMPB12-0-1000
0-1500 psi	-	PG-S6LMSS12-0-1500	-
0-2300 psi	-	PG-S6LMSS12-0-2300	-
0-3500 psi	-	PG-S6LMSS12-0-3500	-
0-6000 psi	-	PG-S6LMSS12-0-6000	-



1/4-18 ANPT available –
Replace the "12" after the model number in the part number with "14"

SOLFRUNT® 6" PROCESS GAUGES CLEANED FOR OXYGEN SERVICE

SOLFRUNT® Oxygen Cleaned	Wall Mount Bottom Thread	Wall Mount Bottom Thread	Panel Mount Back Thread
Model Number	PG-S6LMPB	PG-S6LMSS	PG-S6BMPB
Bourdon Tube	Phosphor Bronze	316L Stainless Steel	Phosphor Bronze
Socket	Brass	316L Stainless Steel	Brass
Size	6"	6"	6"
Range	Part No.	Part No.	Part No.
30"-0-15 psi	PG-S6LMPB12-30IN0-15-OX	PG-S6LMSS12-30IN0-15-OX	PG-S6BMPB12-30IN0-15-OX
0-15 psi	PG-S6LMPB12-0-15-OX	PG-S6LMSS12-0-15-OX	PG-S6BMPB12-0-15-OX
0-30 psi	PG-S6LMPB12-0-30-OX	PG-S6LMSS12-0-30-OX	PG-S6BMPB12-0-30-OX
0-60 psi	PG-S6LMPB12-0-60-OX	PG-S6LMSS12-0-60-OX	PG-S6BMPB12-0-60-OX
0-100 psi	PG-S6LMPB12-0-100-OX	PG-S6LMSS12-0-100-OX	PG-S6BMPB12-0-100-OX
0-160 psi	PG-S6LMPB12-0-160-OX	PG-S6LMSS12-0-160-OX	PG-S6BMPB12-0-160-OX
0-200 psi	PG-S6LMPB12-0-200-OX	PG-S6LMSS12-0-200-OX	PG-S6BMPB12-0-200-OX
0-300 psi	PG-S6LMPB12-0-300-OX	PG-S6LMSS12-0-300-OX	PG-S6BMPB12-0-300-OX
0-400 psi	PG-S6LMPB12-0-400-OX	-	PG-S6BMPB12-0-400-OX
0-600 psi	PG-S6LMPB12-0-600-OX	PG-S6LMSS12-0-600-OX	PG-S6BMPB12-0-600-OX
0-1000 psi	PG-S6LMPB12-0-1000-OX	PG-S6LMSS12-0-1000-OX	PG-S6BMPB12-0-1000-OX
0-1500 psi	-	PG-S6LMSS12-0-1500-OX	-
0-2300 psi	-	PG-S6LMSS12-0-2300-OX	-
0-3500 psi	-	PG-S6LMSS12-0-3500-OX	-
0-6000 psi	-	PG-S6LMSS12-0-6000-OX	-

1/4-18 ANPT available –
Replace the "12" after the model number in the part number with "14"

RATERMANN

MANUFACTURING, INC.

Largest
selection
of
cryogenic
and
compressed
gas
equipment
&
supplies



Ratermann Manufacturing, Inc.

3 Locations to choose from

• **New Jersey** • **Tennessee** • **California**

Toll Free 1-800-264-7793 Fax 1-800-264-7797

E-mail sales@rmimfg.com

www.rmiorde.com

